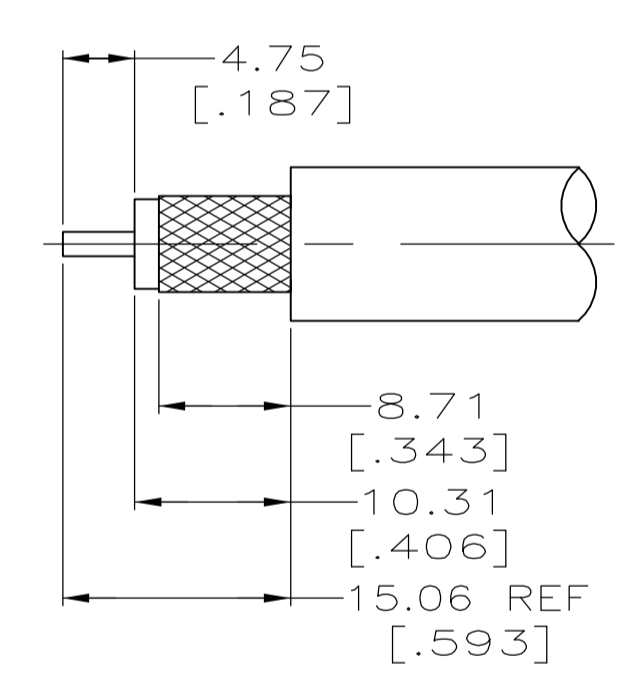
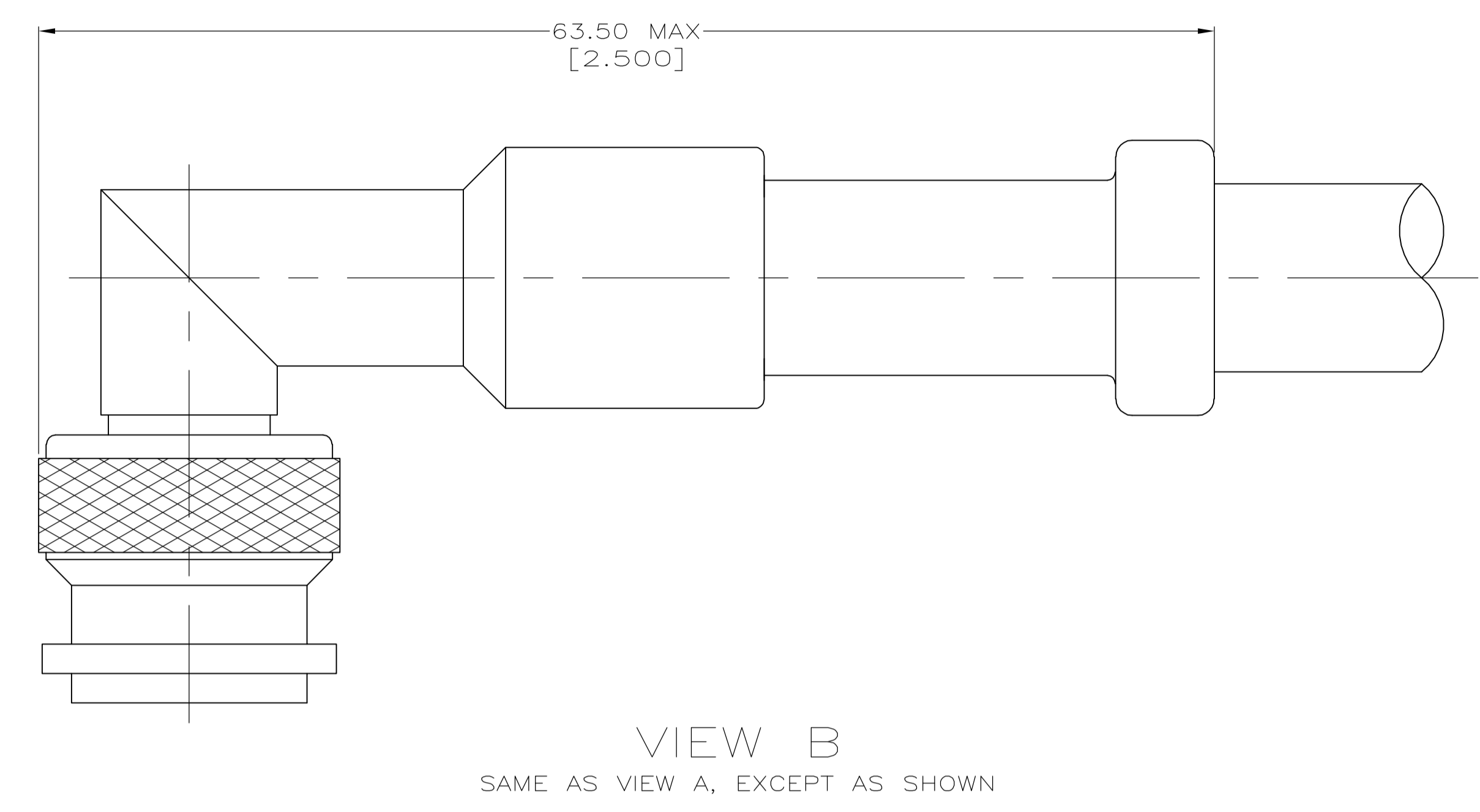
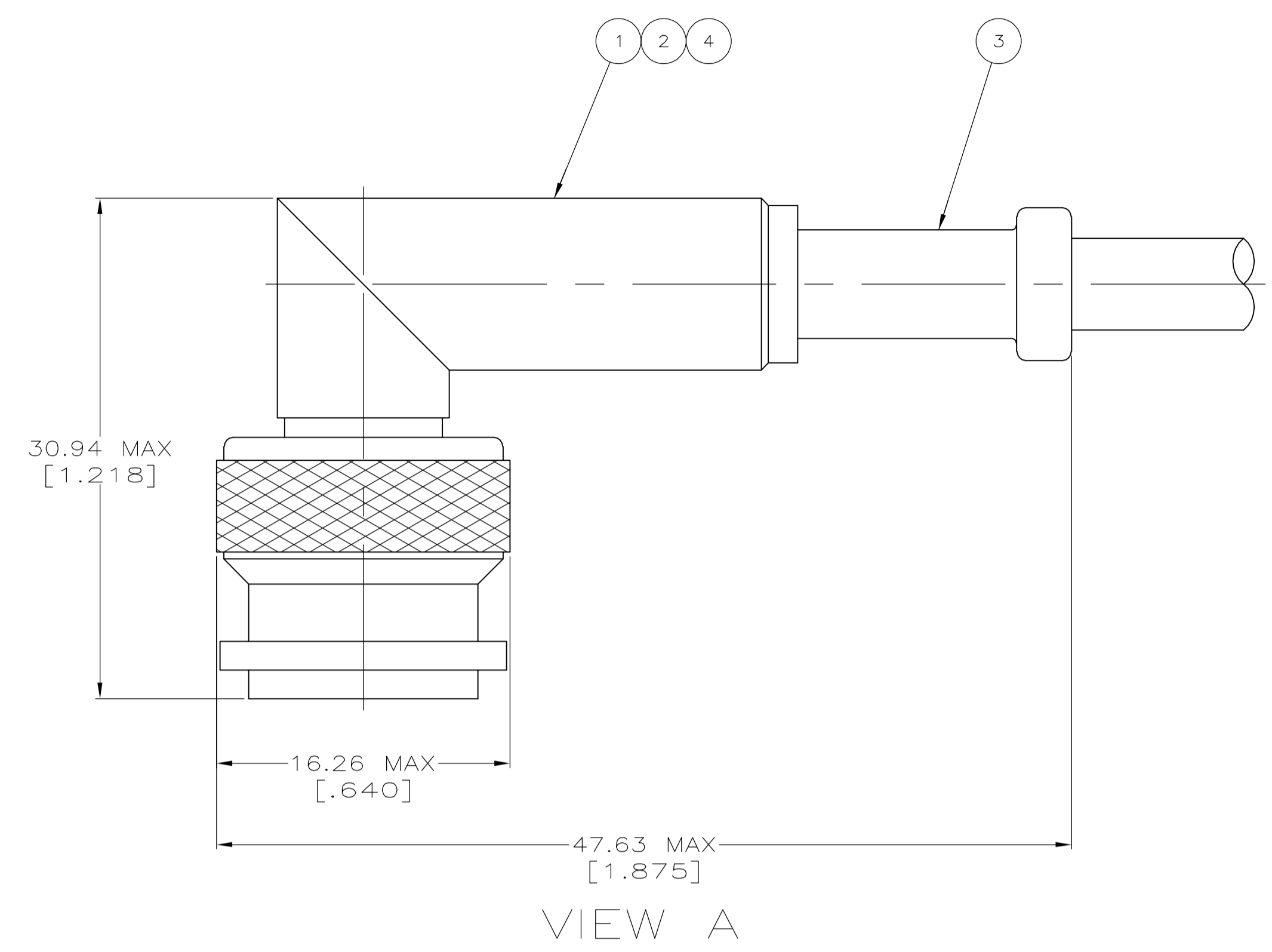
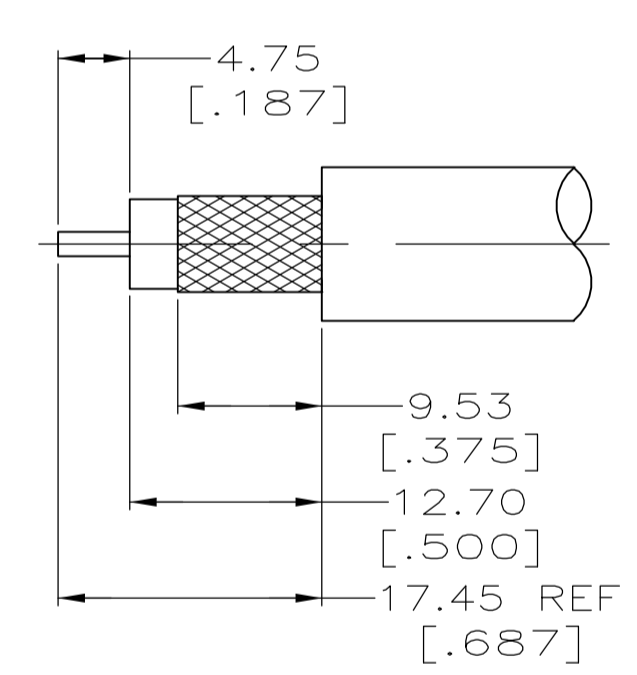


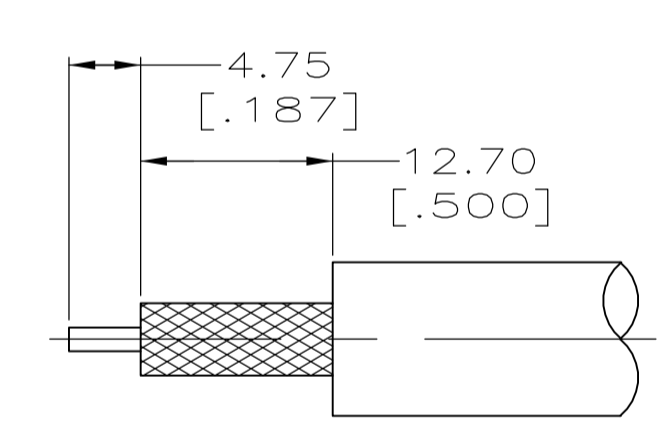
1. USE INSTRUCTION SHEET 2299-5



RECOMMENDED STRIP LENGTH
NO SCALE
FOR 225554-2 AND 225554-6



RECOMMENDED STRIP LENGTH
NO SCALE
FOR 1-225554-2



RECOMMENDED STRIP LENGTH
NO SCALE
FOR 225554-9 AND 1-225554-1

SUPERSEDED BY 225554-6	RG-142/U, 142A/U, 142B/U	-	225592-2	225560-1	225471-3	225518-1	-	7-225554-6
OBSOLETE	RG-59B/U & 62B/U	-	225592-3	225560-3	225471-2	225518-2	-	7-225554-3
SUPERSEDED BY 225554-2	RG-58A/U, 58C/U	-	225592-1	225560-2	225471-1	225518-1	-	7-225554-2
OBSOLETE	BXS-7004-501	-	225592-6	225612-4	225599-1	225518-6	-	1-225554-6
OBSOLETE	MICRO-DOT 250-4172, 250-4208 (BXS-704-502)	220015-3	-	225612-2	225599-1	225518-5	-	1-225554-2
	RG-393/U	220015-1	332022	225490-1	225471-7	225518-3	B	1-225554-1
OBSOLETE	RG-9/U, 9A/U & 214/U	220015-1	332022	331987	225599-1	225518-3	B	225554-9
OBSOLETE	RG-225/U	-	332022	331987	225471-7	225518-3	-	225554-7
	RG-142/U, 142A/U, 142B/U	220045-2	-	225560-1	225471-3	3-225518-1	A	225554-6
	RG-58A/U, 58C/U	220045-2	-	225560-2	225471-1	2-225518-1	A	225554-2
	RG-55/U, 55A/U, 55B/U & 223/U	220045-2	225592-2	225560-1	225471-1	225518-1	A	225554-1
	CABLE	CRIMP TOOL	④ SEAL QTY=1	③ FERRULE QTY=1	② CONTACT QTY=1	① PLUG ASSEMBLY QTY=1	VIEW	PART NUMBER

THIS DRAWING IS A CONTROLLED DOCUMENT.

DIMENSIONS:	TOLERANCES UNLESS OTHERWISE SPECIFIED:	DWN	16FEB96	tyco	Tyco Electronics Corporation
mm	0 PLC ± -	CHK	MICHAEL E. COWHER	Electronics	Harrisburg, PA 17105-3608
	1 PLC ± -	APVD	FRANK P. MORANA		
	2 PLC ± 0.41 [016]	NAME	FRANK P. MORANA		
	3 PLC ± -	PRODUCT SPEC			PLUG, RIGHT ANGLE, WEATHERPROOF, TNC
	4 PLC ± -	APPLICATION SPEC			108-12001
	ANGLES ± -	SIZE			
MATERIAL	FINISH	WEIGHT			
		SCALE	A1	00779	225554
		CUSTOMER DRAWING			

SCALE 4:1 SHEET 1 OF 1 REV M1